

Astoria



PROFESSIONAL ESPRESSO AND CAPPUCCINO COFFEE MACHINES

JADA | AK2 AUTOSTEAMER



Features

- Two fully independent brewing group with pre-infusion and thermo-compensation technology
- Quiet, built-in water cooler adjustable motor pump
- Two heavy duty coffee grinders with two 2.2 lbs bean hoppers with easy to operate micro-setting grind adjustment
- Two chutes for pre-grounded coffee and cleaning tablets
- Two double adjustable dispensing spouts for 4 oz. up to 20 oz. cup
- Touch pads that are easy to read and operate
- Easy cleaning program
- Illuminated electronic display and programmable touch pad
- Adjustable hot water spout with cold water mixing valve
- Two extra long stainless-steel steam wands: one manually operated and one auto-steamer with programmable temperature probe and sliding stainless-steel pitcher-rest tray.
- Large stainless-steel coffee grounds drawer with full drawer indicator
- Master key for programming mode and security
- Easily accessible and removable brewing group for easy maintenance
- Choice of programming Americano's

The JADA simply the most advanced espresso machine in the world!

JADA AK/2 AUTOSTEAMER



General Espresso Equipment Corporation

Supplier of the most complete line of espresso, cappuccino coffee machines, coffee grinders and accessories.
7912 Industrial Village Road - Greensboro, N.C. 27409 - Tel. (336) 393-0224 - Fax (336) 393-0295

<http://www.astoria.com> e-mail: info@geec.com

GEE



PROFESSIONAL ESPRESSO AND CAPPUCCINO COFFEE MACHINES

JADA | AK2 AUTOSTEAMER

With a brewing capacity up to 480 cups per hour this machine feature one step grinding and brewing operation with two independent grinders and two groups for simultaneous dispensing of four espresso at the touch of a button. From the people who know the world of espresso here comes the JADA, an amazing fully automatic machine backed by the Astoria national service network: the largest in the specialty coffee equipment industry.

technical specifications

Boiler Capacity: 8 qts.

Body Construction: Stainless-steel, enamel painted steel and impact resistance plastic side panels

Frame Construction: Galvanized steel

Voltage: 230V* / 60Hz 20,9 Amps. Single Phase

Heating Element: 4000 W

Total Wattage: 4800 W

Shipping Weight: 307 lbs

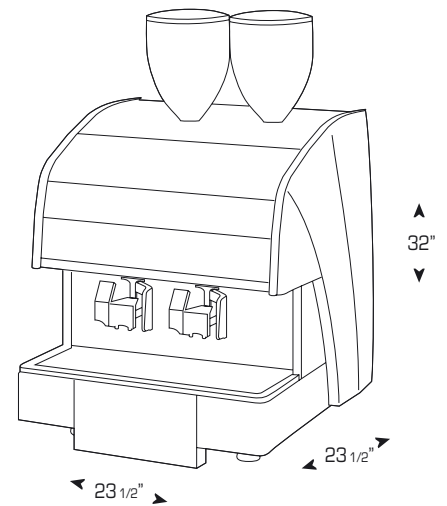
Machine Weight: 239 lbs.

Water Connections: Cold water inlet 3/8" male compression fitting with shut-off valve

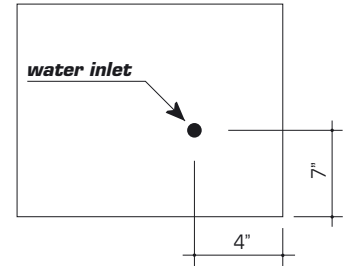
Drain: Floor drain required underneath machine

Note: Drill a 2 1/2" hole on counter for connecting hoses and power cord.

* Install a voltage stabilizer in presence of severe current fluctuations, minimum voltage of 212 vac. required.



water connections



Astoria Espresso Machines are "ETL" listed for electrical safety under "UL" standars, approved for sanitations under "NSF-4" standard and approved by the testing laboratory of the city of Los Angeles.

distributed by:



**General Espresso
Equipment Corporation**

"We know the world of Espresso"

It is the policy of General Espresso Equipment Corporation to continuously improve the products that we sell. For this reason, we reserve the right to make changes in specifications, data and design without notice.